

SK 140
SK145XDLC

STANDARD EQUIPMENT

- | | |
|--|---|
| <p>ENGINE</p> <ul style="list-style-type: none"> ■ Engine, MITSUBISHI D04FR-74kW, diesel engine with turbocharger and intercooler (Tier3-compliant engine) ■ Automatic engine deceleration ■ Auto Idle Stop (AIS) ■ Batteries (2 x 12 V - 88 Ah) ■ Starting motor (24 V - 5 kW), 50 amp alternator ■ Automatic engine shut-down for low engine oil pressure ■ Engine oil pan drain valve ■ Double element air cleaner ■ Pre-air cleaner <p>BUCKET</p> <ul style="list-style-type: none"> ■ 0.6 m³ bucket** ■ 0.7 m³ bucket* <p>CONTROL</p> <ul style="list-style-type: none"> ■ Working mode selector (H-mode, S-mode and ECO-mode) ■ Power Boost <p>SWING SYSTEM & TRAVEL SYSTEM</p> <ul style="list-style-type: none"> ■ Swing rebound prevention system ■ Straight propel system ■ Two-speed travel with automatic shift down ■ Sealed track links ■ Grease-type track adjusters ■ Automatic swing brake ■ Lower under side cover* <p>HYDRAULIC</p> <ul style="list-style-type: none"> ■ Aluminum hydraulic oil cooler ■ Pilot line filter | <p>MIRRORS & LIGHTS</p> <ul style="list-style-type: none"> ■ Two rear view mirrors ■ Two front working lights (one for boom and one for cab)* <p>CAB & CONTROL</p> <ul style="list-style-type: none"> ■ Two control levers, pilot-operated ■ Horn, electric ■ Integrated left-right slide-type control box ■ Cab, all-weather sound suppressed type ■ Cab light (interior) ■ Coat hook ■ Luggage tray ■ Large cup holder ■ Detachable two-piece floor mat ■ Double slide seat ■ Mechanical suspension seat ■ Headrest ■ Handrails ■ Intermittent windshield wiper with double-spray washer ■ Pull-up type front window and removable lower front window ■ Easy-to-read color monitor ■ Automatic air conditioner* ■ Emergency escape hammer ■ 24 V outlet ■ GEOSCAN |
|--|---|

OPTIONAL EQUIPMENT

- | | |
|---|--|
| <ul style="list-style-type: none"> ■ 0.6 m³ bucket* ■ Breaker piping ■ N&B piping ■ HD long arm 2.84 m | <ul style="list-style-type: none"> ■ 700 mm HD shoe plate ■ Additional cab light ■ Automatic discharge pre-air cleaner** ■ Travel alarm ■ Automatic air conditioner** |
|---|--|

*for SK145XDLC **for SK140
Note: Standard and optional equipment may vary. Consult your KOBELCO Dealer for specifics.

Note: This catalog may contain attachments and optional equipment that are not available in your area. And it may contain photographs of machines with specifications that differ from those of machines sold in your areas. Please consult your nearest KOBELCO distributor for those items you require. Due to our policy of continuous product improvements all designs and specifications are subject to change without notice. Copyright by **KOBELCO CONSTRUCTION MACHINERY CO., LTD.** No part of this catalog may be reproduced in any manner without permission.

KOBELCO CONSTRUCTION EQUIPMENT INDIA PVT. LTD.

H-200, Sector-63, Noida, Distt: G.B. Nagar, U.P. - 201 307, INDIA
Tel : +91-120-4079900
www.kobelco-in.com
kcei.info@kobelco.com

Inquiries To:



- **Bucket Capacity :**
0.6–0.7 m³ (ISO heaped)
- **Engine Power :**
99.2 HP (74.0 kW)/2,000 min⁻¹
(ISO 14396)
- **Operating Weight :**
13,000–14,100 kg

Power Meets Efficiency

Increase in
productivity
means
"Power"

Higher fuel
saving
means
"Efficiency"

In line with KOBELCO's concept of robust construction machinery that will work long and hard on any site on the planet, the rugged machine body is newly designed, and comprehensive reinforcement makes the attachment more robust.

It all adds up to KOBELCO's toughest ever excavator.

The latest hydraulics technology delivers both high-powered output and lower fuel consumption.

As the 10th generation model of KOBELCO's SK series, the SK140 meets the needs of civil engineering and the SK145XDLC meets the needs of the punishing sites with a performance that simply astounds.

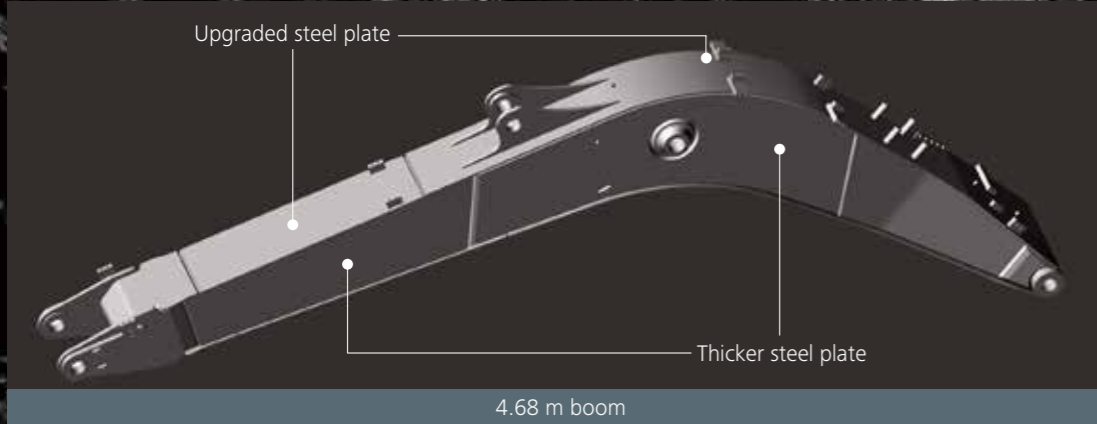


Even Stronger Attachment

Increase in productivity means "Power"

Newly Developed Robust Arm and Boom Made of Optimized Steel Plate

Improved Boom Strengthened by Optimized Steel Plate **NEW**



The new 4.68 m boom features thicker and upgraded plates compared to the previous boom, which delivers more strength for the toughest working conditions.



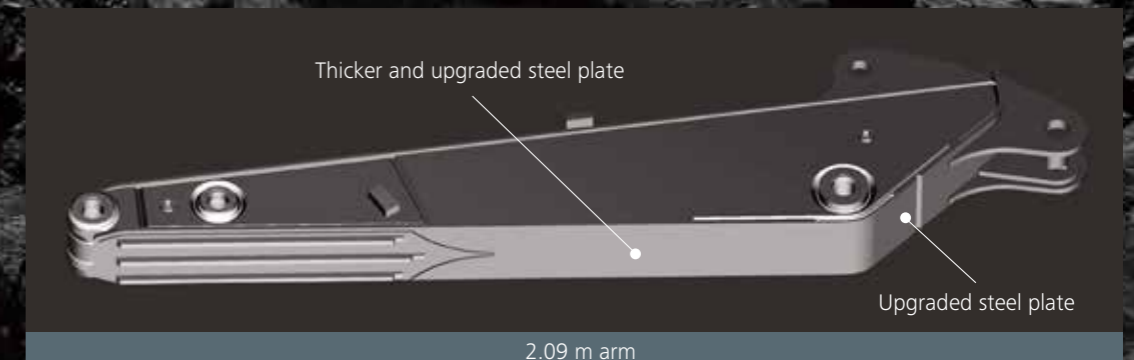
Rock Guards

Specially designed long, solid rock guards installed to prevent damage to arm.



The boom and arm that take the greatest punishment are significantly reinforced.

Improved Arm Exhibits Strength **NEW**



The new 2.09 m arm features thicker and upgraded plates compared to the previous arm, which delivers more strength for the toughest working conditions.

Increase in Productivity Means "Power"

Powerful travel system for easy transit over loose rocks, and highly reliable filtration system ensure higher machine performance.



Crawlers Built for Unbeatable Durability



Front side



Back side

Reinforced Guide Frame

Reinforced guide frame prevents deformation caused by impact or encroaching of loose stones. (For SK145XDLC only)



Track Guides

Large, reinforced track guides are installed in one location.



Lower Frame Underside Cover

Hydraulic piping and equipment protected against damage from rubble and stony ground. (Standard for SK145XDLC)

Improved Filtration System Reliability

Clean, contaminant-free fuel and hydraulic fluid are essential to stable performance. The improved filtration systems reduce the risk of mechanical trouble and enhance longevity and durability.

Pilot Line Filter **NEW**

An enlarged cartridge-type pilot filter simplifies maintenance.



Hydraulic Fluid Filter **NEW**

Recognized as the best in the industry, our premium-fine filter separates out even the smallest particles. New cover prevents contamination when changing filters.



Evolution Continues, with Improved Fuel Efficiency

Higher fuel saving means "Efficiency"

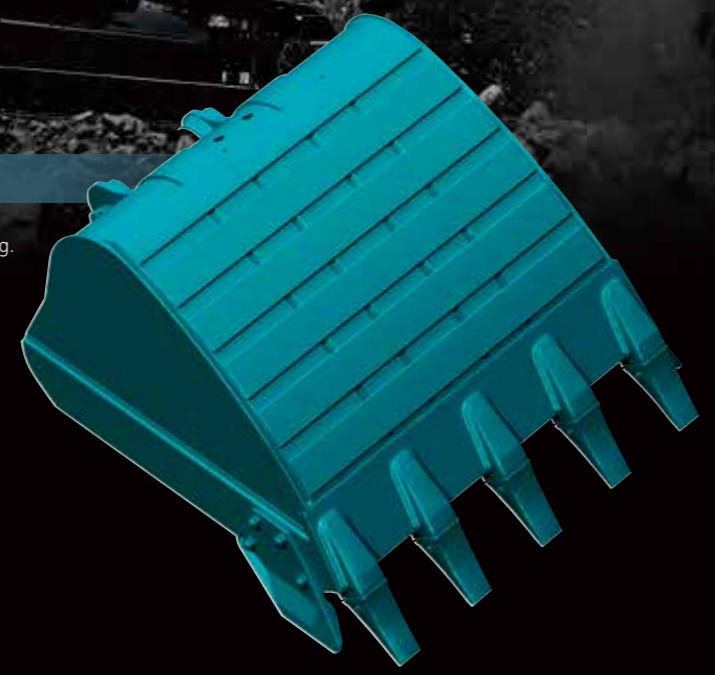
The new arm regeneration flow system more efficiently controls hydraulic fluid flow, and significant reduction of in-line resistance and pressure loss boosts fuel efficiency.



2.09 m Arm	
■ Max. bucket digging force Normal: 89.2 kN	■ Max. digging reach: 8,090 mm
■ Max. arm crowding force Normal: 71.9 kN	■ Max. digging depth: 5,280 mm
	■ Max. vertical digging depth: 4,880 mm

Bucket with Power and Efficiency

Improved bucket shape reduces resistance while excavating. Excellent on-site performance leads to higher productivity.



Energy Saving System Saves Fuel Further

Fuel Efficient Work Mode ECO-mode NEW

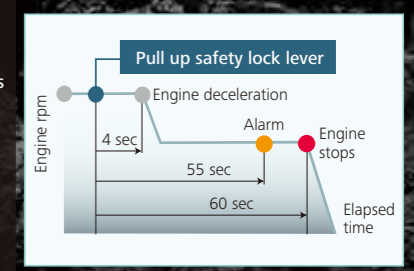
The fuel-saving ECO-mode is newly provided to the work mode, selectable according to a desired operation. Fuel consumption can be greatly reduced.

AIS (Auto Idle Stop)

If the boarding/disembarking lever is lifted up, the engine will stop automatically. This eliminates wasteful idling during standby, saving fuel and reducing CO₂ emissions as well.

■ Operation Mode

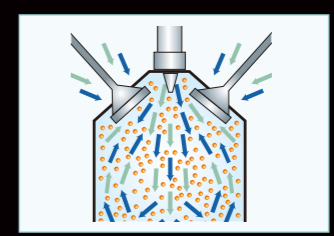
- E** **ECO-mode**
... About **20%** reduction
(Compared to H-mode)
Minimum fuel consumption for utility projects and other work that demands precision
- H** **H-mode**
Maximum power for maximum productivity on your toughest jobs
- S** **S-mode**
Ideal balance of productivity and fuel efficiency for a range of urban engineering projects



Pursuing Maximum Fuel Efficiency

Common Rail System

High-pressure injection atomizes the fuel, and more precise injection improves combustion efficiency. This also contributes to better fuel economy.



Comfortable Cab Is Now Safer than Ever

A work environment that is quieter and more comfortable. A cab that puts the operator first is key to improved safety.



*Prevention bar shall be equipped on the right side window.

Larger Cab is Easy to Get in and out of ^{NEW}



The expanded cab provides plenty of room for a large door, more headroom and smoother entry and exit.

A Lighter Touch Lever, Means Smoother, Less Tiring Work ^{NEW}

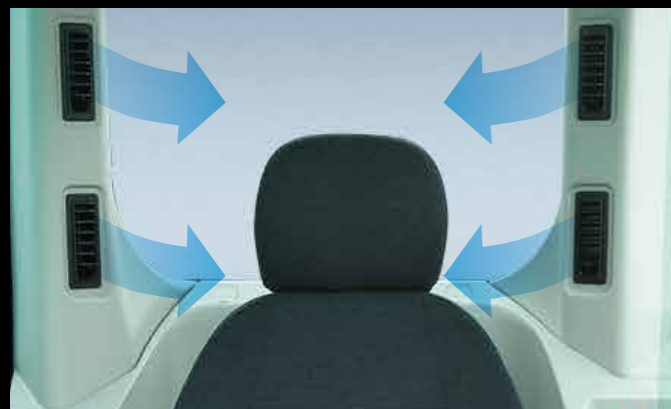


It takes 38% less effort to work the operation lever, which reduces fatigue over long working hours or continued operations.

Larger Cab ^{NEW}

4% larger than the previous cab capacity. A relaxing environment allows work to be performed in comfort.

Air Conditioner Louvers behind the Seat ^{NEW}



The large air-conditioner has vents on the back pillars that blow from behind and to the right and left of the operator's seat. They can be adjusted to put a direct flow of cool/warm air on the operator, which means a more comfortable operating environment.

Air conditioning system is equipped as standard for SK145XDLC, optional for SK140.

Super-Airtight Cab ^{NEW}



The high level of air-tightness keeps dust out of the cab. (97pa earlier 27pa)

Comfort



Wide View for Operator Advantage ^{NEW}

The front window features one large piece of glass without a center pillar on the right side for a wide, unobstructed view.

More Comfortable Seat Means Higher Productivity



Seat suspension absorbs vibration



Seat recliner can be pushed back flat



Double slides allow adjustment for optimum comfort

Interior Equipment Adds to Comfort and Convenience



24V power outlet



Spacious storage tray



Large cup holder



Hammer for emergency exit

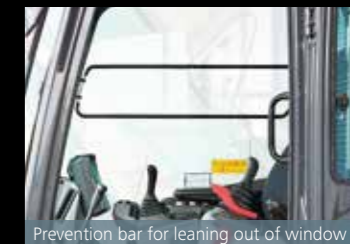
Prevention bar for leaning out of window

Safety

Expanded Field of View for Greater Safety



Greater safety assured by rearview mirrors on left and right, and a third mirror mounted at lower right.

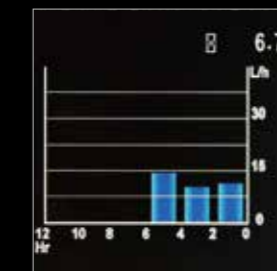


Operator-Friendly Features Include Controls that Are Easy to See, Easy to Use



Multi-Display in Color ^{NEW}

Brilliant colors and graphic displays are easy to recognize on the LCD multi-display in the console. The display shows fuel consumption, maintenance intervals, and more.



Fuel consumption

MAINTENANCE			
	INTERVAL	REMAINING TIME	EXCHANGE DAY
ENGINE OIL	500	495	--/--
FUEL FILTER	500	495	--/--
HYD. FILTER	1000	995	--/--
HYD. OIL	2000	4995	--/--

Maintenance



Breaker mode

One-Touch Attachment Mode Switch

A simple touch of a button, switches the hydraulic circuit and flow amount to match attachment changes. Icons help the operator to confirm the proper configuration at a glance.

- 1 Analog gauge provides an intuitive reading of fuel level and engine water temperature
- 2 Green indicator light shows low fuel consumption during operation
- 3 Fuel consumption/Switch indicator for rear camera images
- 4 Digging mode switch
- 5 Monitor display switch

Efficient Maintenance Keeps the Machine in Peak Operating Condition

Examples of displaying maintenance information



Machine Information Display Function

- Displays only the maintenance information that's needed, when it's needed
- Self-diagnostic function provides early-warning detection and display of electrical system malfunctions
- Service-diagnostic function makes it easier to check the status of the machine
- Record function of previous breakdowns including irregular and transient malfunction

Pre-Air Cleaner (Optional for SK140) NEW

Superior capacity of new pre-air cleaner equipped as standard on SK145XDLC keeps the engine running clean even in tough environments. Collected contaminant is automatically discharged to outside.



Pre-air cleaner

Maintenance Work, Daily Checks, Etc., Can Be Done from Ground Level

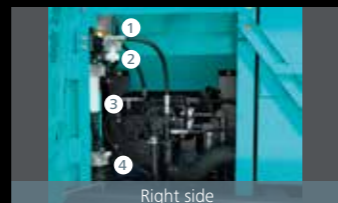
The layout allows for easy access from the ground for many daily checks and regular maintenance tasks.



Double-element air cleaner



Left side



Right side

Laid out for easy access to radiator and cooling system elements

- 1 Pre-fuel filter with built-in water-separator
- 2 Pilot line filter
- 3 Main fuel filter
- 4 Third filter

More Efficient Maintenance Inside the Cab



Air conditioner filters

Internal and external air conditioner filters can be easily removed without tools for cleaning.

Easy Maintenance



The filter for breaker piping

The Kobelco original filter for breaker piping is installed with breaker hydraulic line.

Easy Cleaning



Detachable two-piece floor mat

Detachable two-piece floor mat with handles for easy removal. A floor drain is located under floor mat.



Engine oil pan

Engine oil pan equipped with drain valve.

GEOSCAN

GEOSCAN allows you to use the Internet to manage information from your office for machines operating in all areas. This provides a wide range of support for your business operations.



Specifications

SK140
SK140-10

SK145XDLC
SK145XDLC-10

Engine

Model	MITSUBISHI D04FR
Type	Direct injection, water-cooled, 4-cycle diesel engine with turbocharger, intercooler
No. of cylinders	4
Bore and stroke	102 mm x 130 mm
Displacement	4,249 L
Rated power output	99.2 HP (74.0 kW)/2,000 min ⁻¹ (ISO14396)
Max. torque	375 N·m/1,600 min ⁻¹ (ISO14396)

Hydraulic System

Pump	Two variable displacement pumps + one gear pump
Type	Two variable displacement pumps + one gear pump
Max. discharge flow	2 x 130 L/min, 1 x 20 L/min
Relief valve setting	
Boom, arm and bucket	34.3 MPa {350 kgf/cm ² }
Travel circuit	34.3 MPa {350 kgf/cm ² }
Swing circuit	28.0 MPa {296 kgf/cm ² }
Control circuit	5.0 MPa {50 kgf/cm ² }
Pilot control pump	Gear type
Oil cooler	Air cooled type

Swing System

Swing motor	Axial piston motor
Brake	Hydraulic; locking automatically when the swing control lever is in neutral position
Parking brake	Oil disc brake, hydraulic operated automatically
Swing speed	11 min ⁻¹ {rpm}
Tail swing radius	2,180 mm
Min. front swing radius	2,620 mm

Attachments

Backhoe bucket and combination

Use	Backhoe bucket			
	Normal digging			
Bucket capacity	ISO heaped	m ³	0.6	0.7
Struck			0.43	0.50
Opening width	With side cutter	mm	1,120	1,270
	Without side cutter	mm	1,010	1,160
No. of bucket teeth			5	5
Bucket weight		kg	540	590
2.09 m short arm			⊙	⊙
2.84 m long arm			—	—

⊙ Recommended — Not recommended

Travel System

Travel motors	2 x axial-piston, two-step motors	
Travel brakes	Hydraulic brake per motor	
Parking brakes	Oil disc brake per motor	
Travel shoes	SK140	44 each side
	SK145XDLC	46 each side
Travel speed	5.8/3.4 km/h	
Drawbar pulling force	142 kN (ISO 7464)	
Gradeability	70% {35°}	

Cab & Control

Cab
International Comfort Cab with dust free enclosure and with internal pressure of 97pa (earlier cab 27pa). All-weather, sound-suppressed steel cab equipped with a heavy, insulated floor mat.

Control
Two hand levers and two foot pedals for travel
Two hand levers for excavating and swing
Electric rotary-type engine throttle

Boom, Arm & Bucket

Boom cylinders	100 mm x 1,092 mm
Arm cylinder	115 mm x 1,116 mm
Bucket cylinder	95 mm x 903 mm

Refilling Capacities & Lubrications

Fuel tank	271 L
Cooling system	16 L
Engine oil	18.5 L
Travel reduction gear	2 x 2.1 L
Swing reduction gear	1.65 L
Hydraulic oil tank	104 L tank oil level
	160 L hydraulic system

Working Ranges

Unit: m

Range	2.09 m	2.84 m*
a- Max. digging reach	8.09	8.78
b- Max. digging reach at ground level	7.93	8.64
c- Max. digging depth	5.28	5.98
d- Max. digging height	8.3	8.82
e- Max. dumping clearance	5.81	6.39
f- Min. dumping clearance	2.49	1.8
g- Max. vertical wall digging depth	4.88	5.45
h- Min. swing radius	2.62	2.8
i- Horizontal digging stroke at ground level	3.58	4.67
j- Digging depth for 2.4 m (8') flat bottom	5.02	5.79
Bucket capacity ISO heaped m ³	0.7/0.6	-

Digging Force (ISO 6015)

Unit: kN

Arm length	2.09 m	2.84 m
Bucket digging force	89.2	88.9*
Arm crowding force	71.9	58.3

*Figures are based on 0.38 m³ bucket.

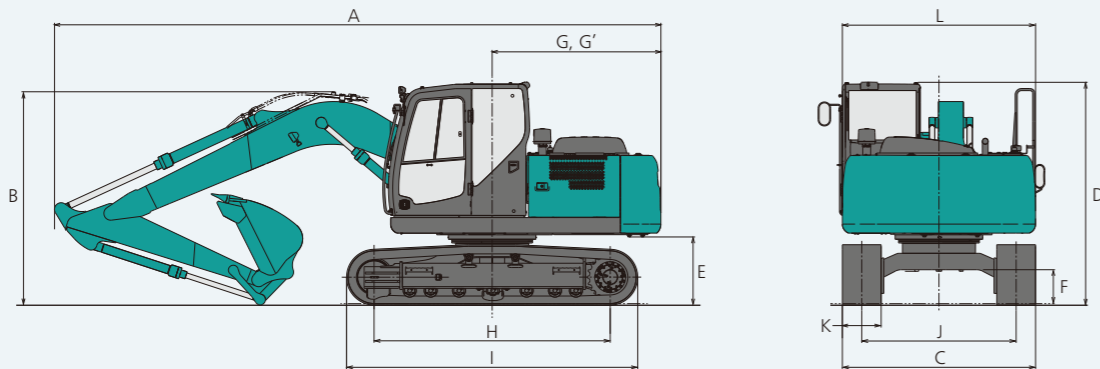
Dimensions

Arm length	2.09 m	2.84 m
A Overall length	7,820	7,790
B Overall height (to top of boom)	2,750	3,130
C Overall width of crawler	2,490	
D Overall height (to top of cab)	2,880	
E Ground clearance of rear end*	860	
F Ground clearance*	SK140: 435	SK145XDLC: 415

Unit: mm

G Tail swing radius	2,180
G' Distance from center of swing to rear end	2,180
H Tumbler distance	SK140: 2,870 SK145XDLC: 3,040
I Overall length of crawler	SK140: 3,580 SK145XDLC: 3,750
J Track gauge	1,990
K Shoe width	500
L Overall width of upperstructure	2,490

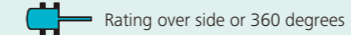
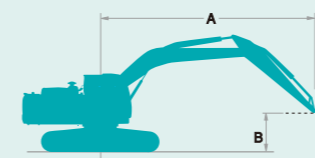
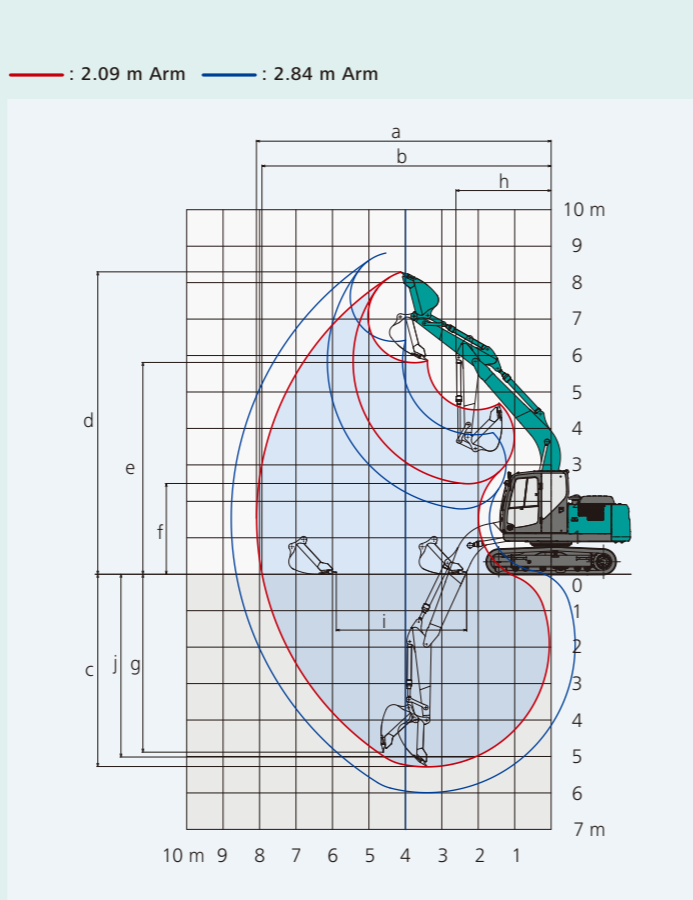
*Without including height of shoe



Operating Weight & Ground Pressure

In standard trim, with short boom, 2.09 m arm, and 0.7 m³ ISO heaped bucket (SK140 with 0.6 m³ bucket)

Shaped	Triple grouser shoes (even height)			
Shoe width	mm	500	700	
Overall width of crawler	SK140	mm	2,490	2,690
	SK145XDLC	mm	2,490	2,690
Ground pressure	SK140	kPa	41	30
	SK145XDLC	kPa	41	30
Operating weight	SK140	kg	13,000	13,300
	SK145XDLC	kg	13,800	14,100



A: Reach from swing centerline to arm top
B: Arm top height above/below ground
C: Lift point
Bucket: Without bucket
Relief valve setting: 34.3 MPa (350 kgf/cm²)

SK140 Boom: 4.68 m Arm: 2.09 m Bucket: without Shoe: 500 mm Counterweight: 2,100 kg (Standard)

A \ B	1.5 m		3.0 m		4.5 m		6.0 m		At Max. Reach		Radius	
	Rating over front	Rating over side or 360 degrees	Rating over front	Rating over side or 360 degrees	Rating over front	Rating over side or 360 degrees	Rating over front	Rating over side or 360 degrees	Rating over front	Rating over side or 360 degrees		
6.0 m	kg				*3,560	3,410			*2,530	*2,530	5.07 m	
4.5 m	kg				*3,780	3,330	*2,990	2,060	*2,340	1,990	6.11 m	
3.0 m	kg			*6,900	5,720	*4,600	3,100	2,980	*2,340	1,680	6.65 m	
1.5 m	kg					4,430	2,850	2,870	1,890	2,370	6.81 m	
G.L.	kg					4,260	2,700	2,790	1,820	2,430	6.63 m	
-1.5 m	kg	*5,670	*5,670	8,500	4,920	4,220	2,660	2,790	1,820	2,750	1,790	6.06 m
-3.0 m	kg			*7,360	5,070	4,320	2,750			3,730	2,410	4.98 m

SK140 Boom: 4.68 m Arm: 2.84 m Bucket: without Shoe: 500 mm Counterweight: 2,100 kg (Standard)

A \ B	1.5 m		3.0 m		4.5 m		6.0 m		7.5 m		At Max. Reach		Radius		
	Rating over front	Rating over side or 360 degrees	Rating over front	Rating over side or 360 degrees	Rating over front	Rating over side or 360 degrees	Rating over front	Rating over side or 360 degrees	Rating over front	Rating over side or 360 degrees	Rating over front	Rating over side or 360 degrees			
7.5 m	kg												*2,070	*2,070	4.49 m
6.0 m	kg							*1,870	*1,870				*1,710	*1,710	6.04 m
4.5 m	kg							*3,040	2,100				*1,590	*1,590	6.93 m
3.0 m	kg												*1,580	1,380	7.41 m
1.5 m	kg				*5,270	*5,270	*3,920	3,170	3,000	2,000			*1,650	1,290	7.55 m
G.L.	kg				*6,310	4,800	4,220	2,660	2,740	1,760			*1,830	1,300	7.39 m
-1.5 m	kg	*4,450	*4,450	8,300	4,740	4,120	2,570	2,690	1,710				*2,180	1,420	6.88 m
-3.0 m	kg	*7,520	*7,520	*8,290	4,830	4,150	2,590						2,760	1,770	5.96 m
-4.5 m	kg				*5,890	5,100							*3,750	2,930	4.34 m

SK145XDLC Boom: 4.68 m Arm: 2.09 m Bucket: without Shoe: 500 mm Counterweight: 2,600 kg (Semi-additional)

A \ B	1.5 m		3.0 m		4.5 m		6.0 m		At Max. Reach		Radius	
	Rating over front	Rating over side or 360 degrees	Rating over front	Rating over side or 360 degrees	Rating over front	Rating over side or 360 degrees	Rating over front	Rating over side or 360 degrees	Rating over front	Rating over side or 360 degrees		
6.0 m	kg				*3,560	*3,560			*2,530	*2,530	5.07 m	
4.5 m	kg				*3,780	3,710	*2,990	2,320	*2,340	2,240	6.11 m	
3.0 m	kg								*2,340	1,910	6.65 m	
1.5 m	kg								*2,490	1,790	6.81 m	
G.L.	kg				*5,730	5,550	5,150	3,070	3,360	2,080	6.63 m	
-1.5 m	kg	*5,670	*5,670	*8,870	5,580	5,120	3,040	3,360	2,080	3,310	2,050	6.06 m
-3.0 m	kg				*7,360	5,740	*5,010	3,130				4.98 m

SK145XDLC Boom: 4.68 m Arm: 2.84 m Bucket: without Shoe: 500 mm Counterweight: 2,600 kg (Semi-additional)

A \ B	1.5 m		3.0 m		4.5 m		6.0 m		7.5 m		At Max. Reach		Radius		
	Rating over front	Rating over side or 360 degrees	Rating over front	Rating over side or 360 degrees	Rating over front	Rating over side or 360 degrees	Rating over front	Rating over side or 360 degrees	Rating over front	Rating over side or 360 degrees	Rating over front	Rating over side or 360 degrees			
7.5 m	kg												*2,070	*2,070	4.49 m
6.0 m	kg							*1,870	*1,870				*1,710	*1,710	6.04 m
4.5 m	kg							*3,040	2,360				*1,590	*1,590	6.93 m
3.0 m	kg												*1,580	*1,580	7.41 m
1.5 m	kg				*5,270	5,880	*4,970	3,250	3,430	2,130	*1,950	1,510	*1,650	1,490	7.55 m
G.L.	kg				*6,310	5,470	5,120	3,030	3,310	2,030			*1,830	1,500	7.39 m
-1.5 m	kg	*4,450	*4,450	*8,640	5,410	5,020	2,940	3,260	1,980				*2,180	1,650	6.88 m
-3.0 m	kg	*7,520	*7,520	*8,290	5,500	5,040	2,970						*2,970	2,040	5.96 m
-4.5 m	kg				*5,890	5,770							*3,750	3,320	4.34 m

Notes:

- Do not attempt to lift or hold any load that is greater than these lift capacities at their specified lift point radius and heights. Weight of all accessories must be deducted from the above lift capacities.
- Lift capacities are based on machine standing on level, firm, and uniform ground. User must make allowance for job conditions such as soft or uneven ground, out of level conditions, side loads, sudden stopping of loads, hazardous conditions, experience of personnel, etc.
- Arm top defined as lift point.
- The above lift capacities are in compliance with ISO 10567. They do not exceed 87% of hydraulic lift capacity or 75% of tipping load. Lift capacities marked with an asterisk (*) are limited by hydraulic capacity rather than tipping load.
- Operator should be fully acquainted with the Operator's and Maintenance Instructions before operating this machine. Rules for safe operation of equipment should be adhered to at all times.
- Lift capacities apply to only machine as originally manufactured and normally equipped by KOBELCO CONSTRUCTION MACHINERY CO., LTD.
- The above figures indicate machine capacity, but in practice the machine should not be used for lifting loads.