



ESCORTS
CONSTRUCTION EQUIPMENT

HYDRA 14 EX *plus*

THE MINING SOLUTION

Heavy Duty Structure for Mining Operations

Rope Compensation

Constant Mesh Transmission

Straight Axle

Fail – Safe Air Brakes



**RELIABLE
POWERFUL
STURDY**



Fuel Efficiency



500 hrs Service Interval – Engine



Heavy Duty Tyres

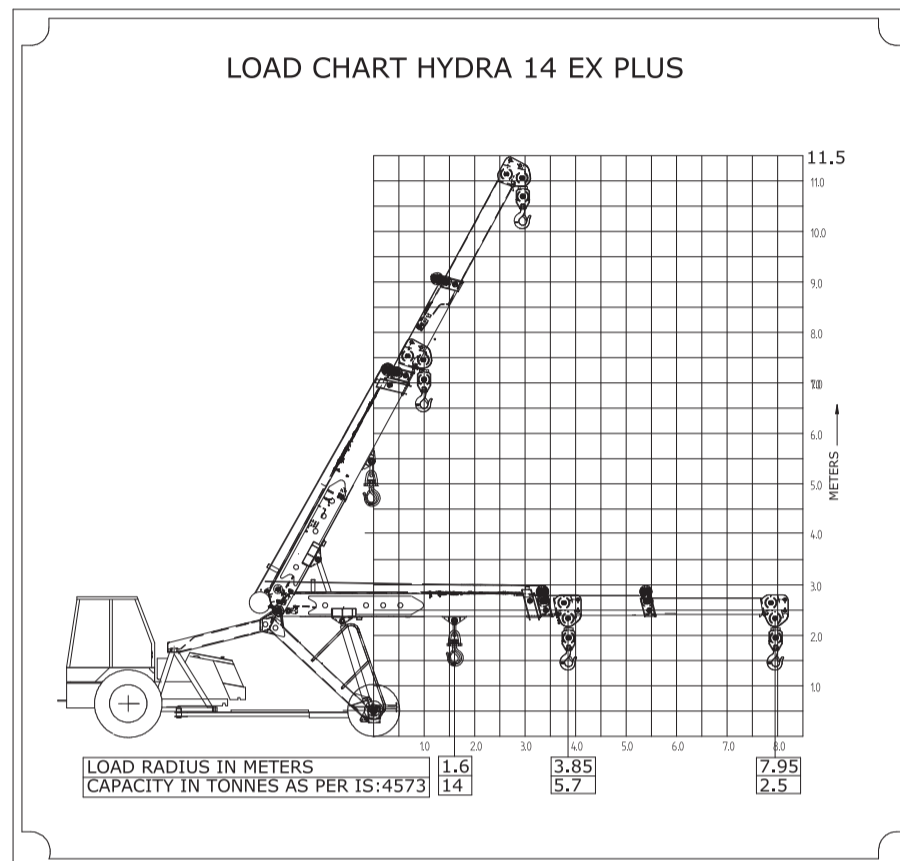


8 Forward 2 Reverse Speeds



Value for Money

HYDRA 14 EX PLUS : SPECIFICATIONS



RATED CAPACITY

- 14T @1.6m radius
- 2.5T @7.95m radius

ENGINE

- Escorts AE 4.312C-3A Four Cylinder, Water Cooled Diesel Engine, developing 50 HP @ 2200 RPM or equivalent

TRANSMISSION

- **Drive-** 2 Wheel Drive
- **Type-** Heavy duty transmission developed especially for crane application. Constant Mesh gearbox coupled with Robust straight drive axle. Eight forward and Two reverse speeds with High / Low selector lever
- **Max. Speed-** 29 km/hr (unladen)
- **Clutch-** Single plate, heavy duty type

STEERING

- **Type-** Articulated power steering, hydraulically controlled through two doubling acting jacks
- **Articulation-** up to 55°
- **Turning radius-** 6.5 m

HOIST MECHANISM

- **Hoist-** Hydraulic Winch. Four falls. Rope dia 13 mm

BRAKES

- **Front Wheel-** Fully pneumatic brakes on front wheel
- **Rear Wheel-** Disc brakes actuated through a slave cylinder
- **Parking-** Pneumatic operated, fail safe applicable on front wheel

HYDRAULIC SYSTEM

- **Pump-** Vane type Hydraulic Pump
- **Control Valve-** 4 spool control valve with built in pressure relief valve and precision control
- **Hydraulic Filter-** Suction line has a 100 mesh inline strainer while return line has 25 microns full flow filter

ELECTRICAL SYSTEM

- **Type-** 12V Single Battery, Negative earth

CAPACITIES

- **Fuel Tank:** 45 ltr.
- **Hydraulic Tank:** 65 ltr.

OVERALL DIMENSIONS

- **Length-** 10720 mm
- **Width-** 2550 mm
- **Height-** 3100 mm

OPERATIONAL WEIGHT

- 11220 kg

BOOM

- **Telescoping-** 3 part hydraulically powered & fully synchronized
- **Derricking-** Through double acting jacks

TYRES

- **Front-** 11.00 X 20-16PR (4 Nos.), inflation pressure 110-115 PSI
- **Rear-** 14 X 24-16PR (2 Nos.), inflation pressure 29 PSI (Water Ballasted)

TRACK

- **Front-** 1930 mm
- **Rear-** 1680 mm

SAFETY DEVICES

- Overload audio warning system
- Safety brake on hoist
- Cylinder guard for protection
- Rope compensation for auto levelling
- Counter balance protection valve in the lift line against hose burst
- Visual warning against parking brakes on

UNDER THE STANDARD ACCESSORIES

- All weather cabin
- Lift cylinder guard
- Front bumper
- Rear view mirror
- Reflectors
- Turn & reverse lamp